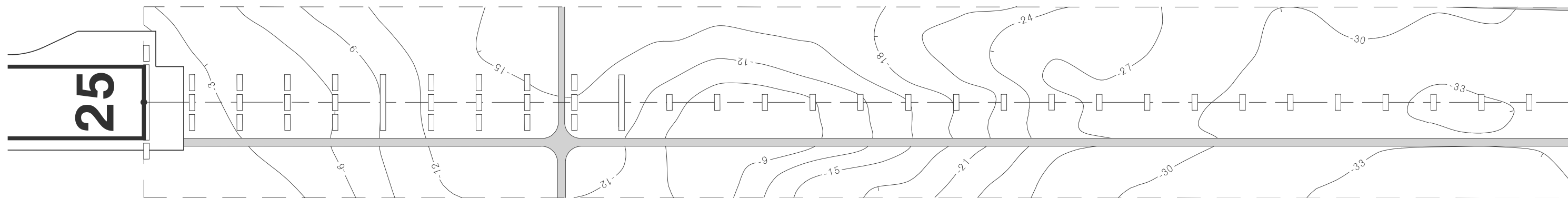


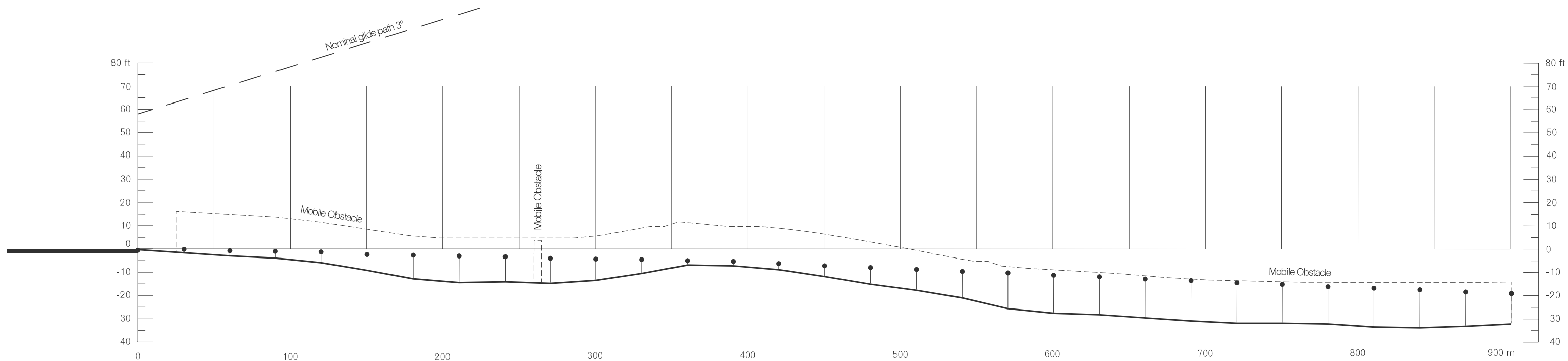
HEIGHTS IN FEET
DISTANCES IN METRES

PRECISION APPROACH TERRAIN CHART - ICAO

Lublin
RWY 25



ILS RDH 58 ft



HORIZONTAL SCALE 1:2 500
VERTICAL SCALE 1:500

CONTOURS AND HEIGHTS ARE RELATED TO THR RWY 25

LEGEND	
CENTRE - LINE PROFILE	
APPROACH LIGHTS	
TERRAIN CONTOUR	
DEVIATION AT LEAST +/-10ft FROM CENTRE LINE PROFILE	

AMENDMENT RECORD		
No	DATE	ENTERED BY