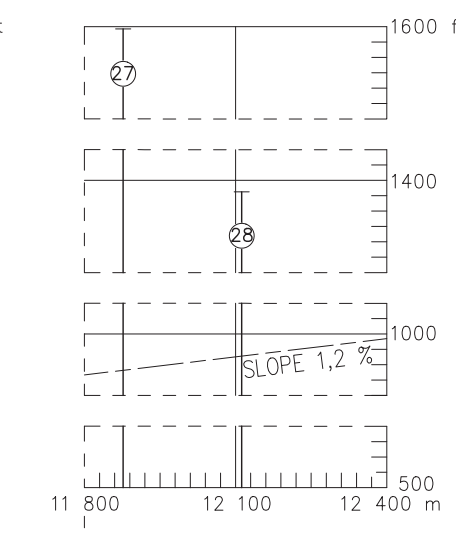
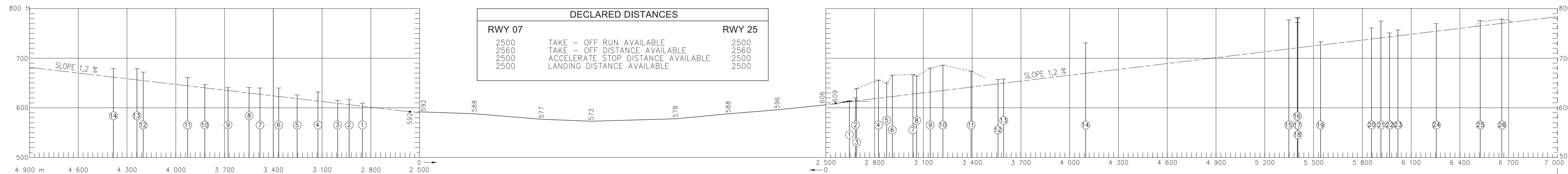
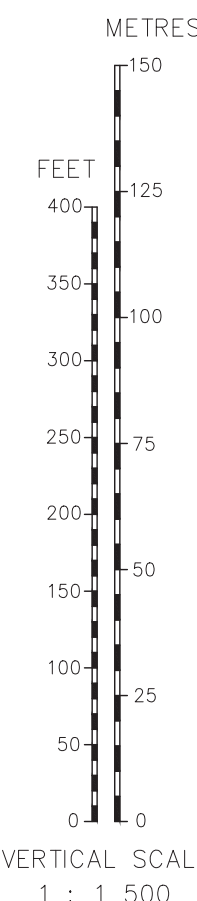


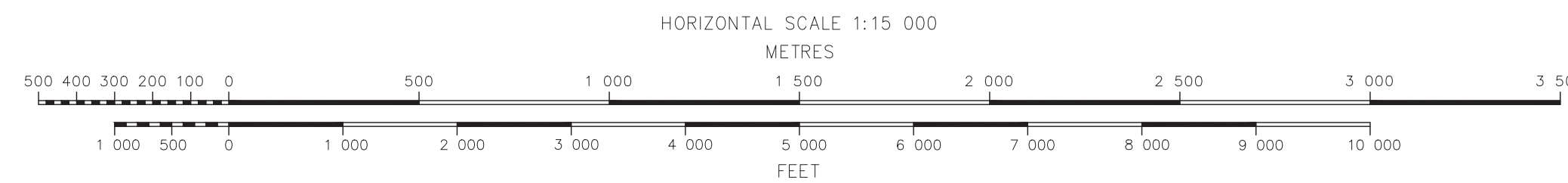
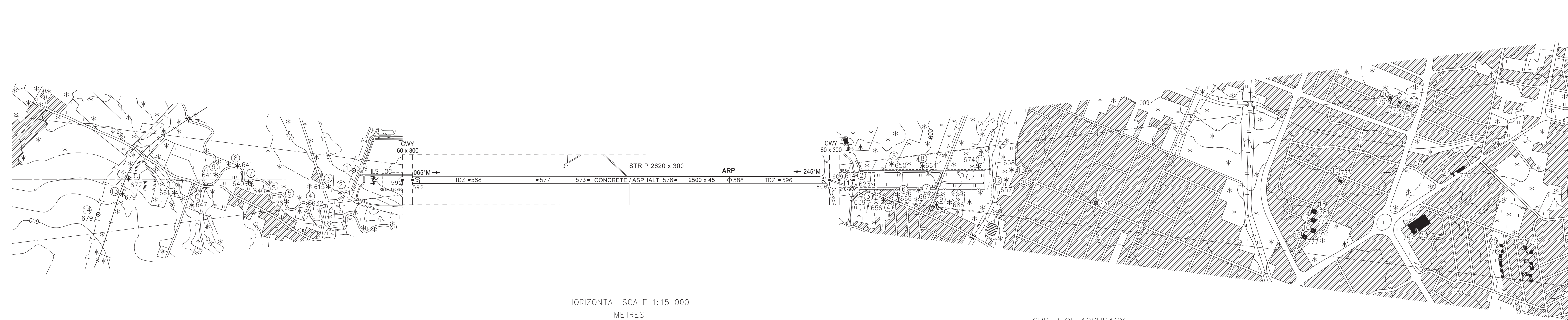
MAGNETIC VARIATION 6° E 2021

RWY 07 - 25

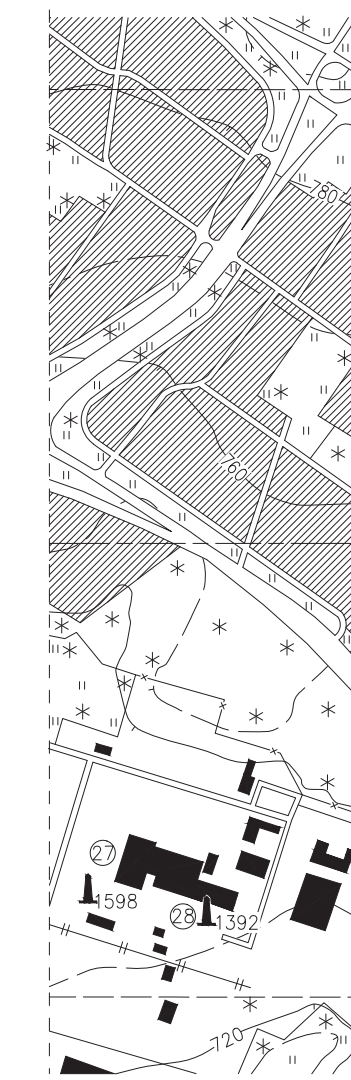
DECLARED DISTANCES		
RWY 07		RWY 25
2500	TAKE - OFF RUN AVAILABLE	2500
2560	TAKE - OFF DISTANCE AVAILABLE	2560
2500	ACCELERATE STOP DISTANCE AVAILABLE	2500
2500	LANDING DISTANCE AVAILABLE	2500



LEGEND	
IDENTIFICATION NUMBER	①
ELEVATION	614
POLE, TOWER, SPIRE, ANTENNA, ETC.	⊙
TREE OR SHRUB	*
POWER PLANT CHIMNEY	⌚
RAILROAD TWO OR MORE TRACKS	—+—+—+—+—
TRANSMISSION LINE OR OVERHEAD CABLE	-T-T-T-
MEADOW	
ESCARPMENT	
RIVER	~~~~~
FENCE	—x—x—x—x—
WOODED OR HIGH BUILDINGS AREAS	⊠
PENETRATING PLANE SURFACE	⊠
TERRAIN PENETRATING PLANE SURFACE	⊠
TERRAIN CONTOUR	—560—



ORDER OF ACCURACY
HORIZONTAL 5 m
VERTICAL 2 ft



AMENDMENT RECORD		
No	DATE	ENTERED BY

Correction: VAR changed